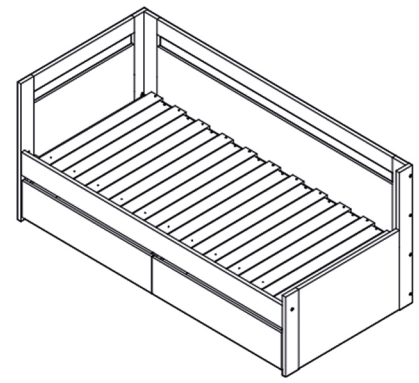
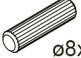
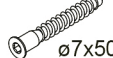







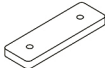




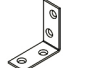
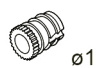

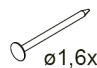
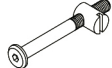








REA HOPPIP

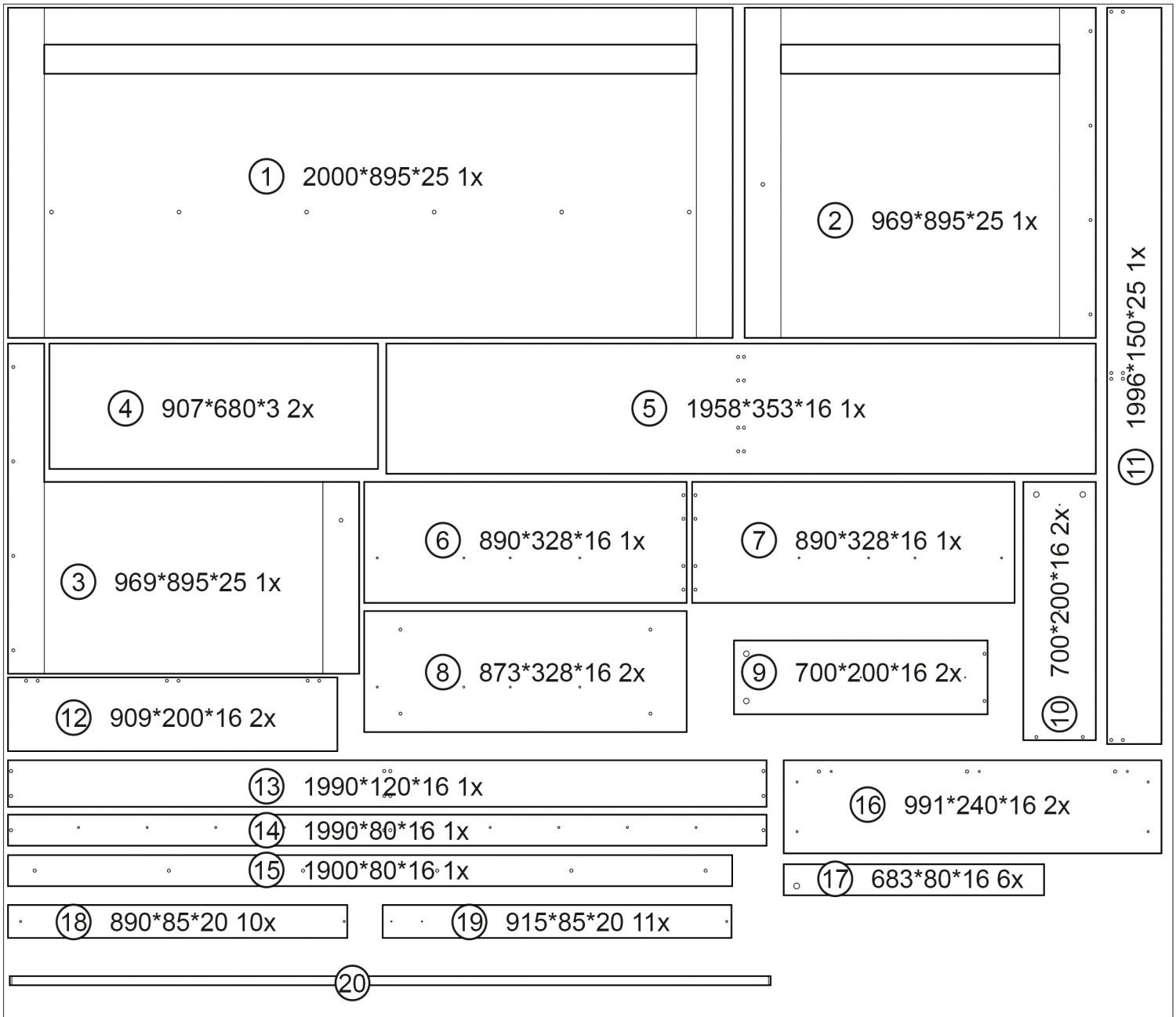
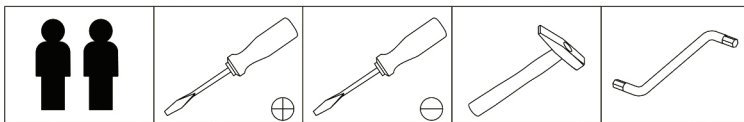
2050-969-895

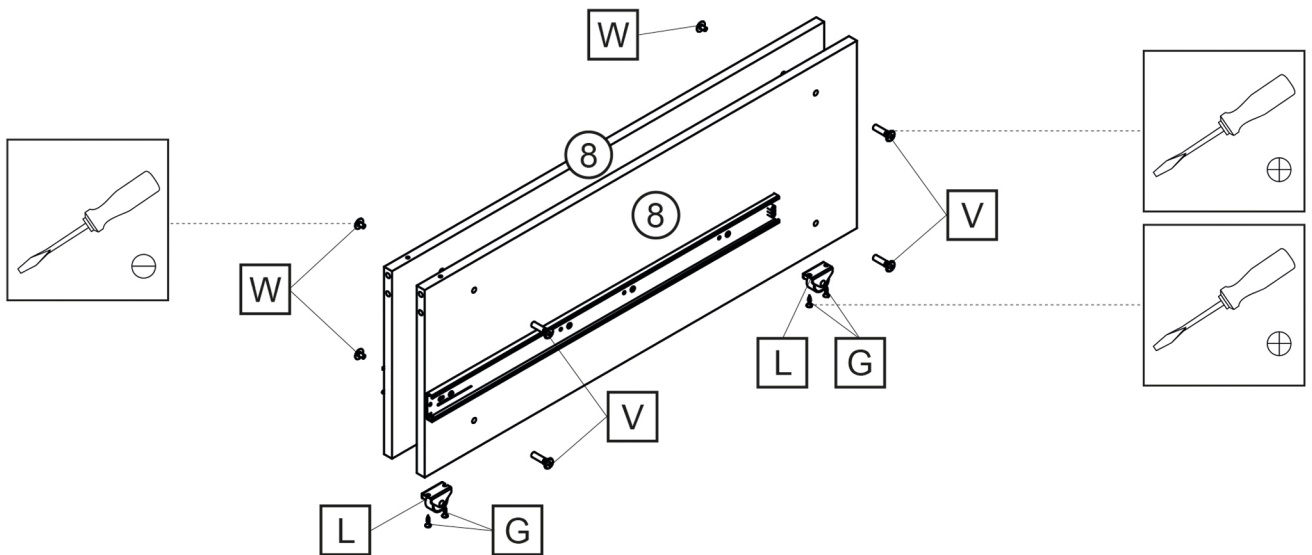
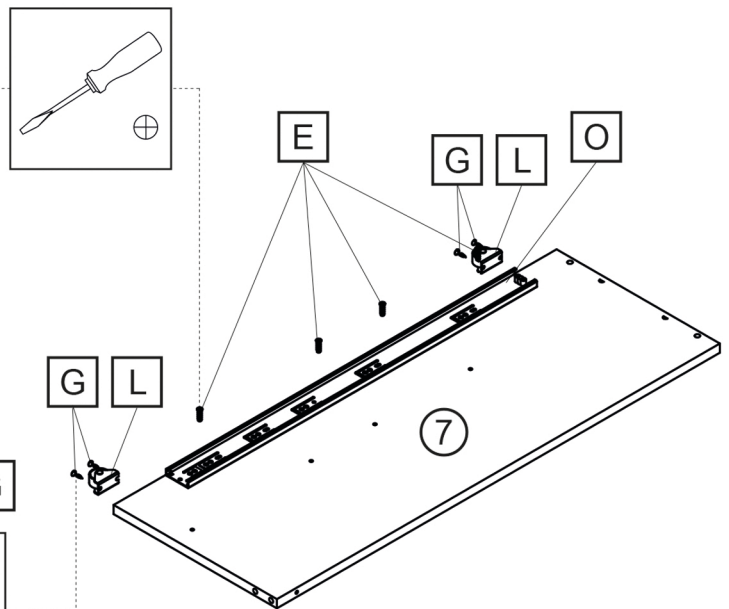
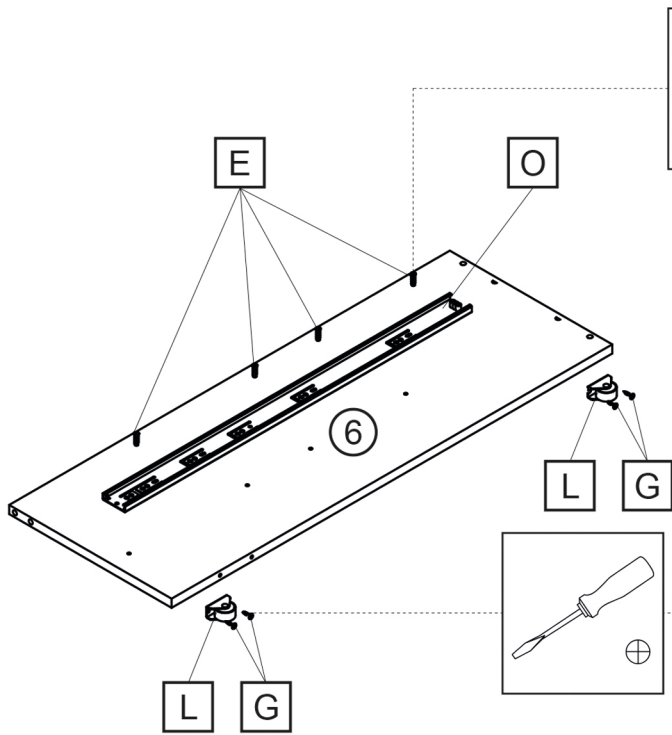
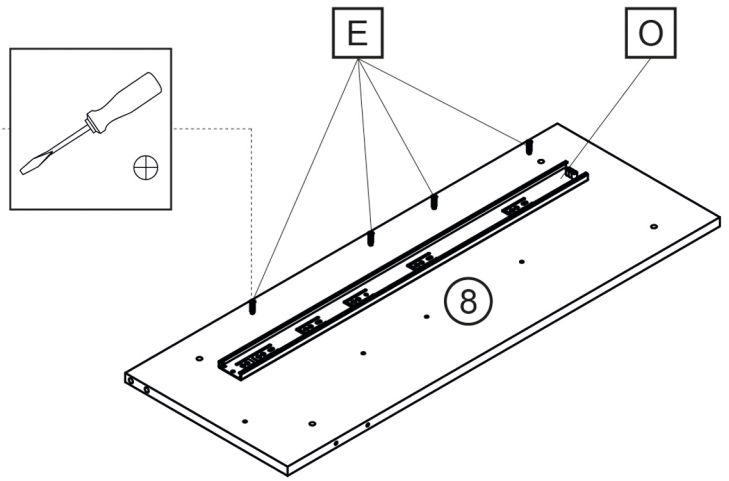
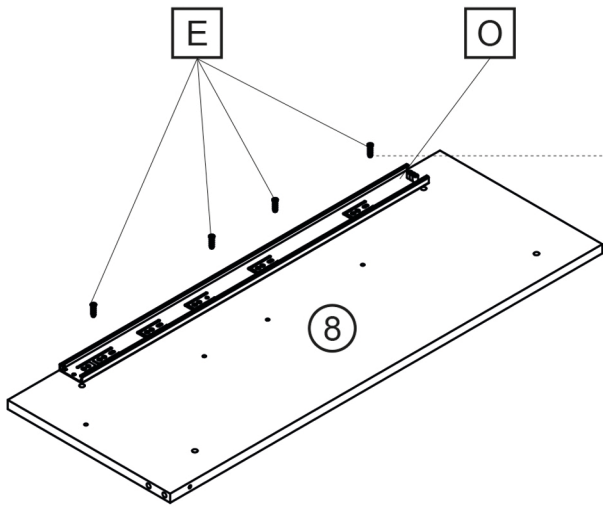


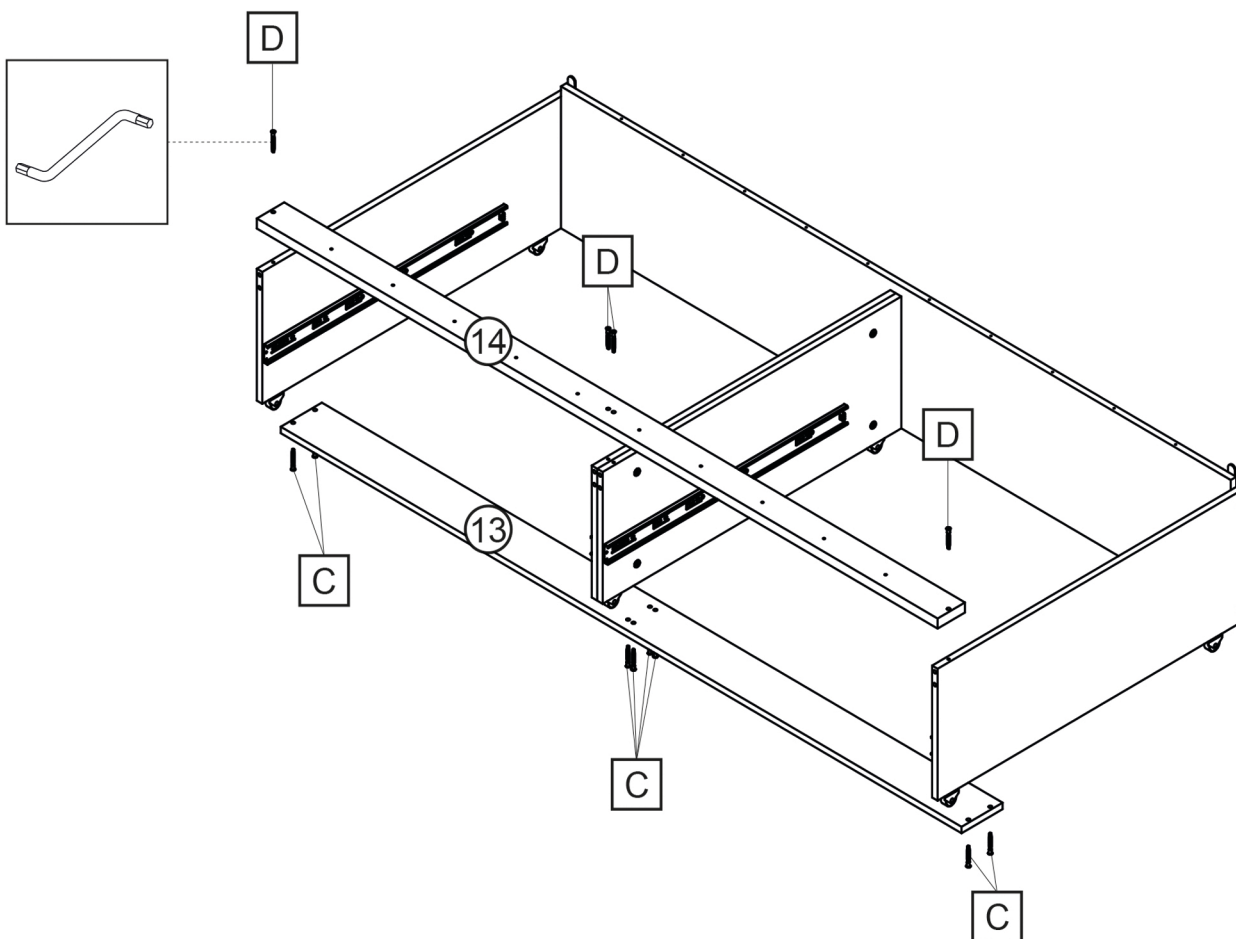
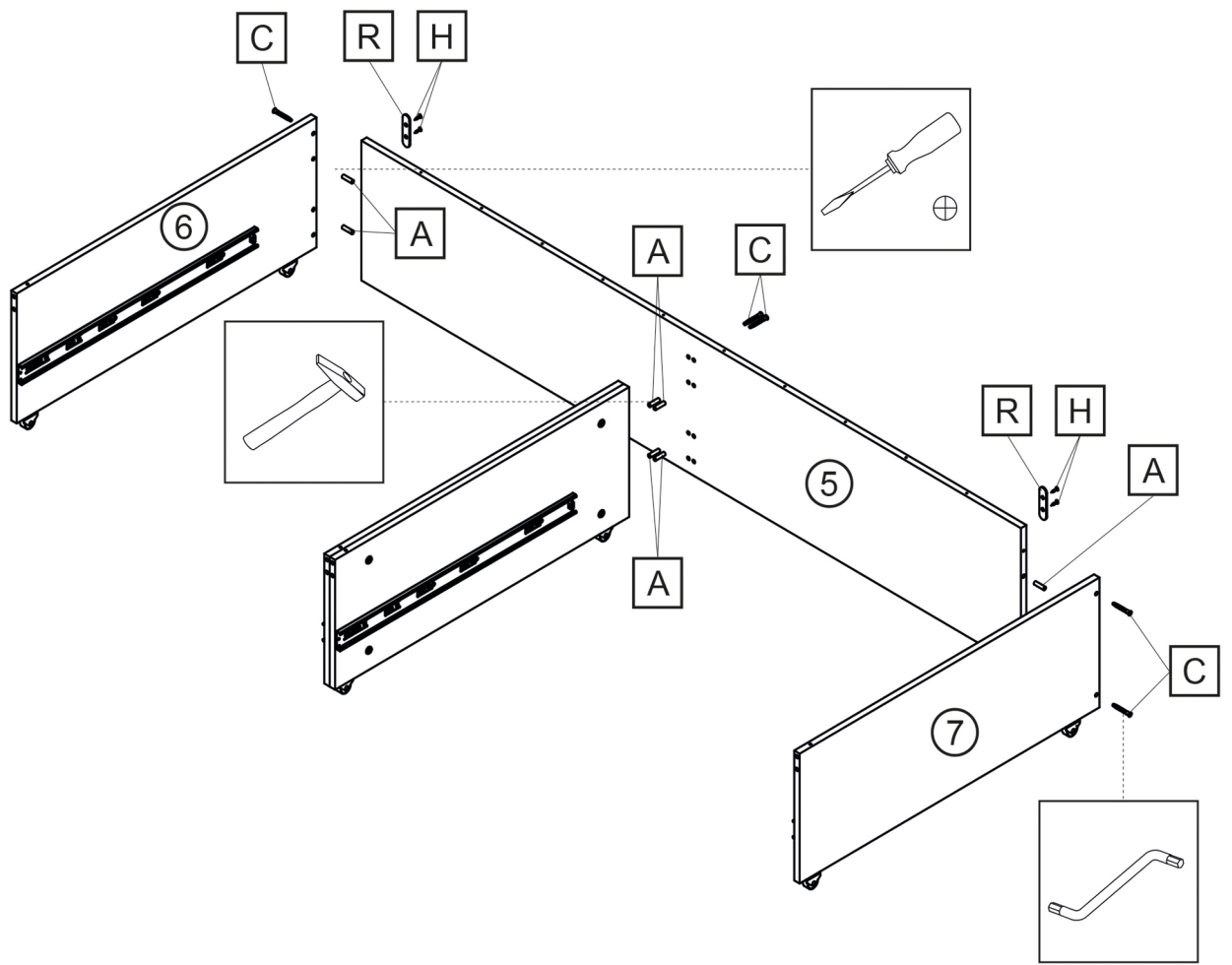
								
A 22x	C 34x	D 4x	E 16x	F 12x	G 12x	H 4x	I 27x	J 32x

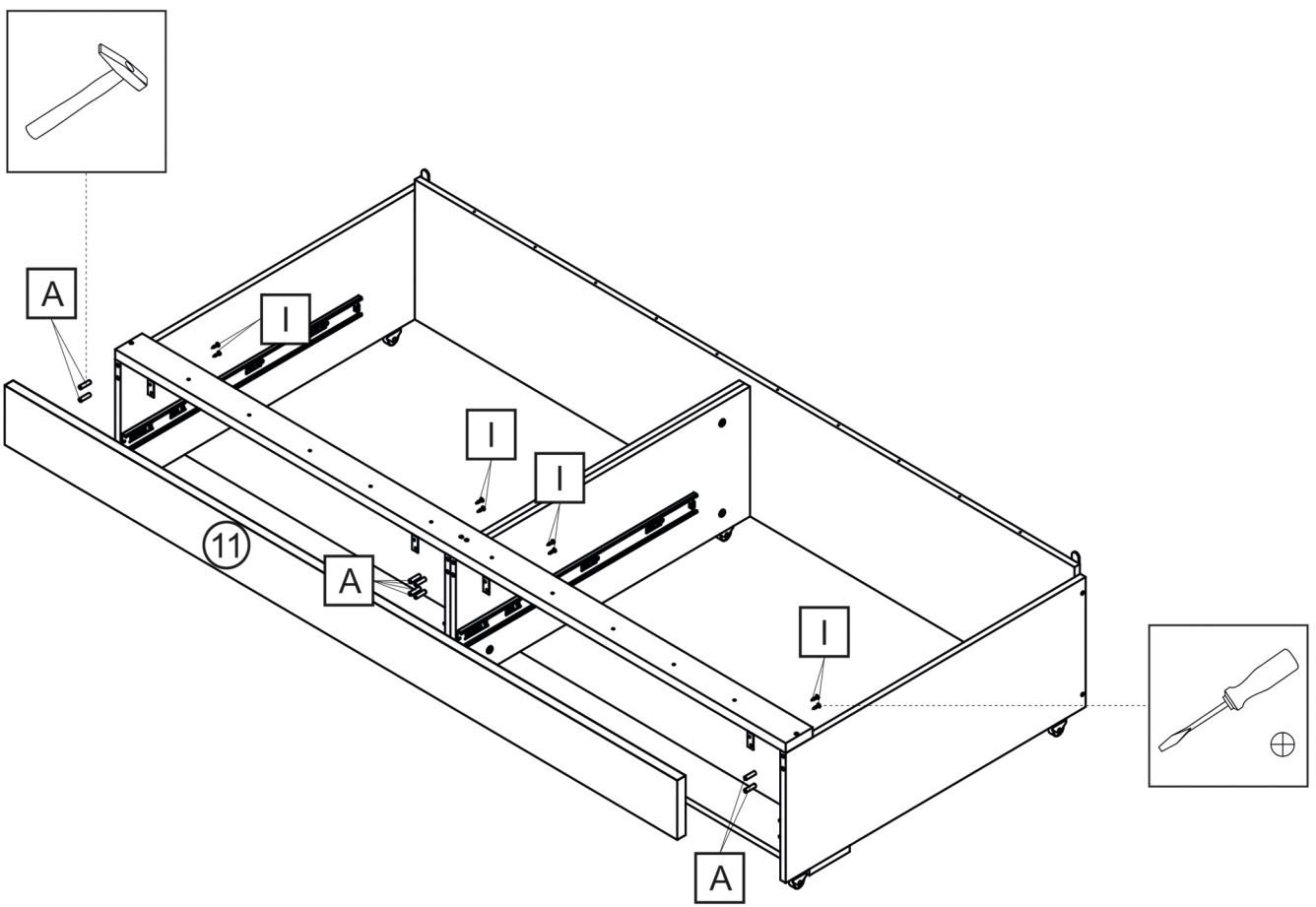
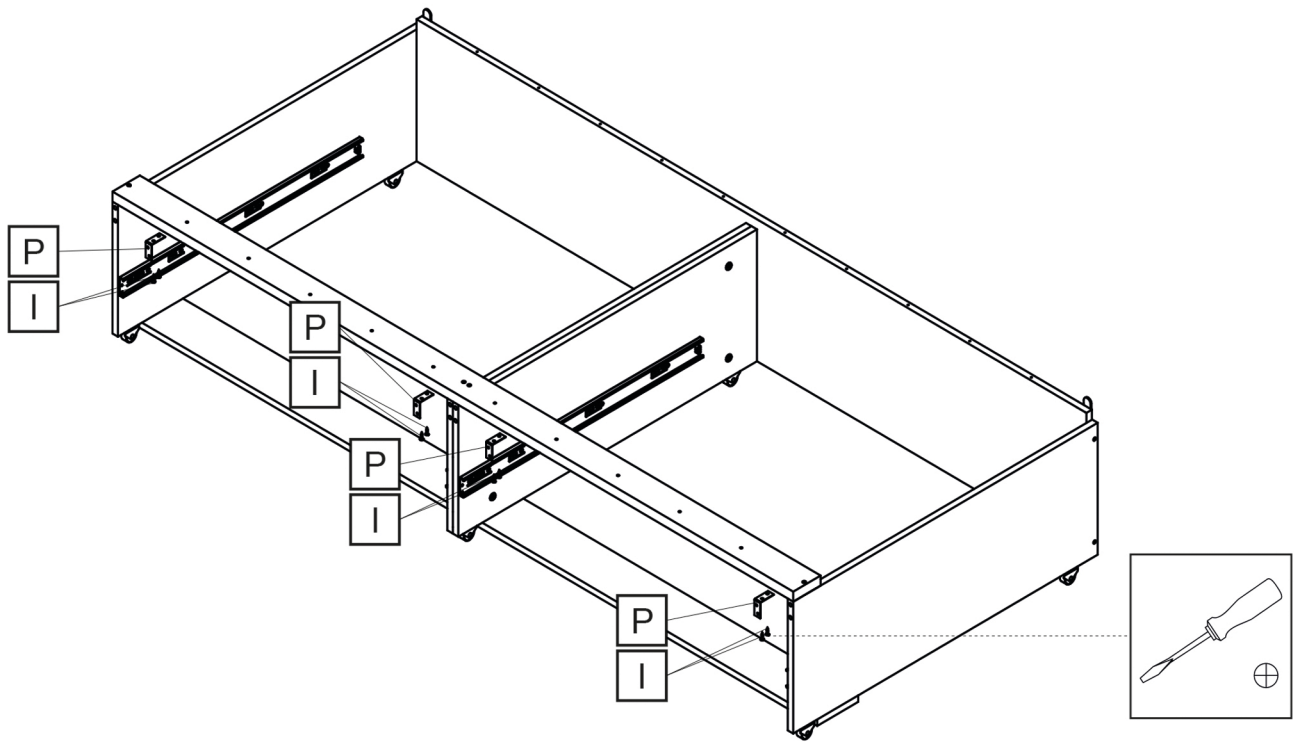
									
K 5x	L 6x	M 14x	N 14x	O 2x	P 4x	Q 6x	R 2x	S 10x	T 8x

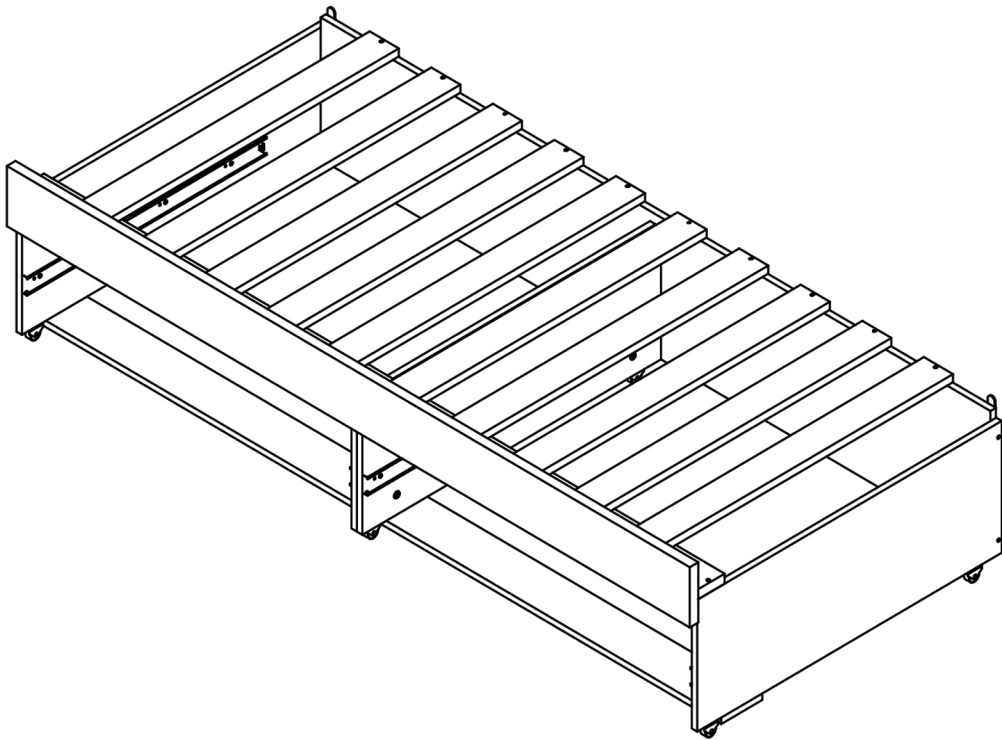
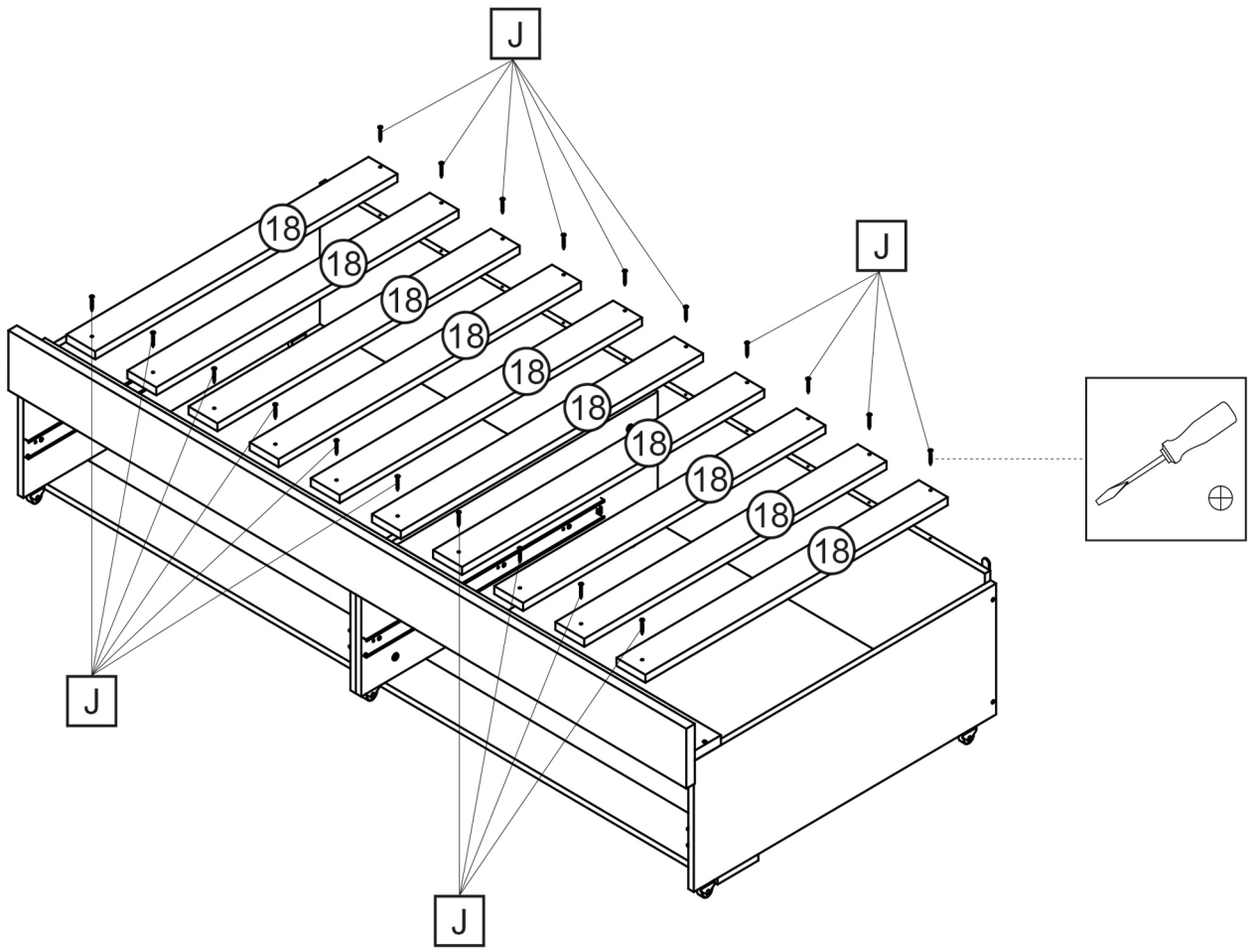
					
U 2x	V 4x	W 4x	X 6x	Y 2x	Z 2x



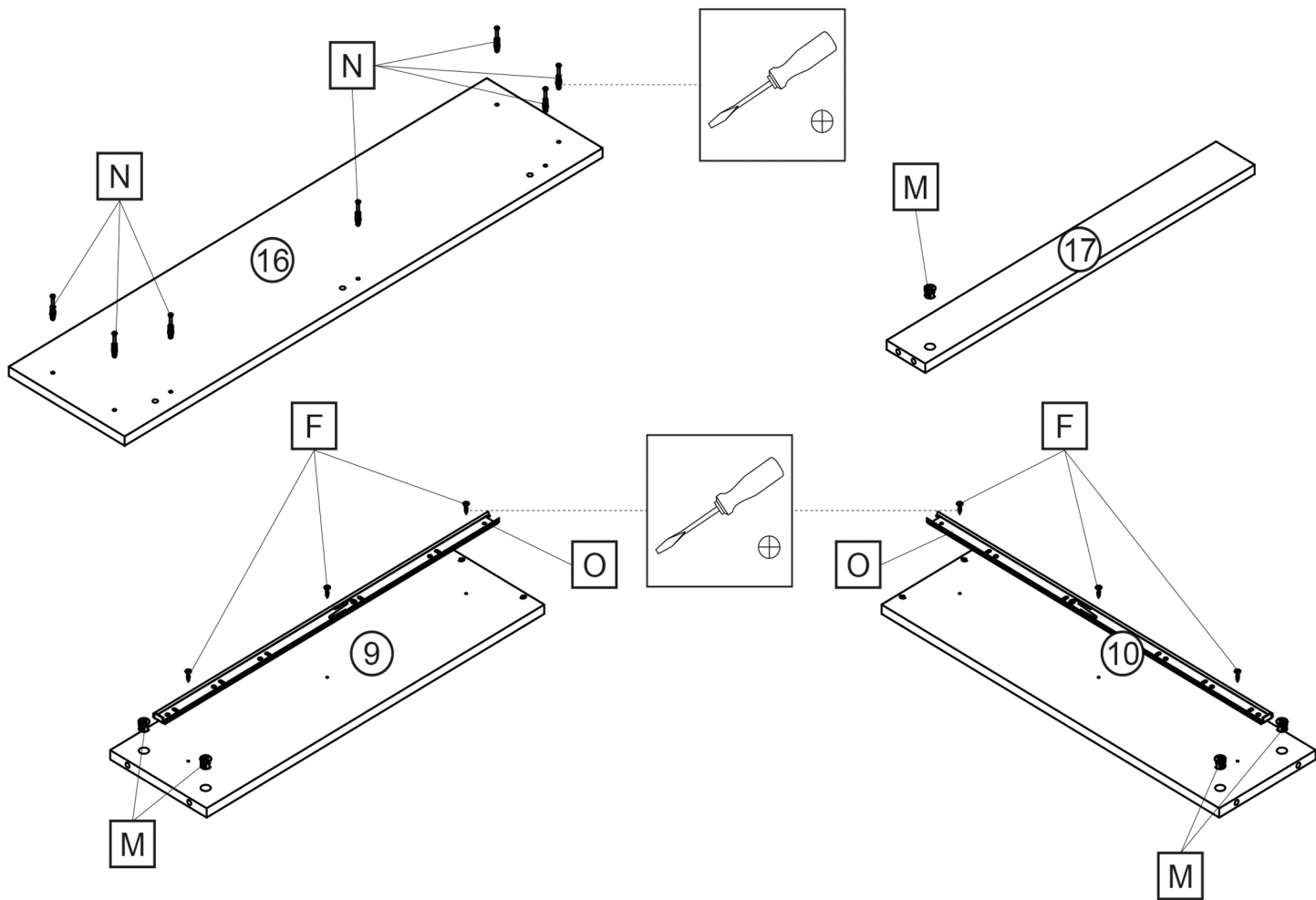




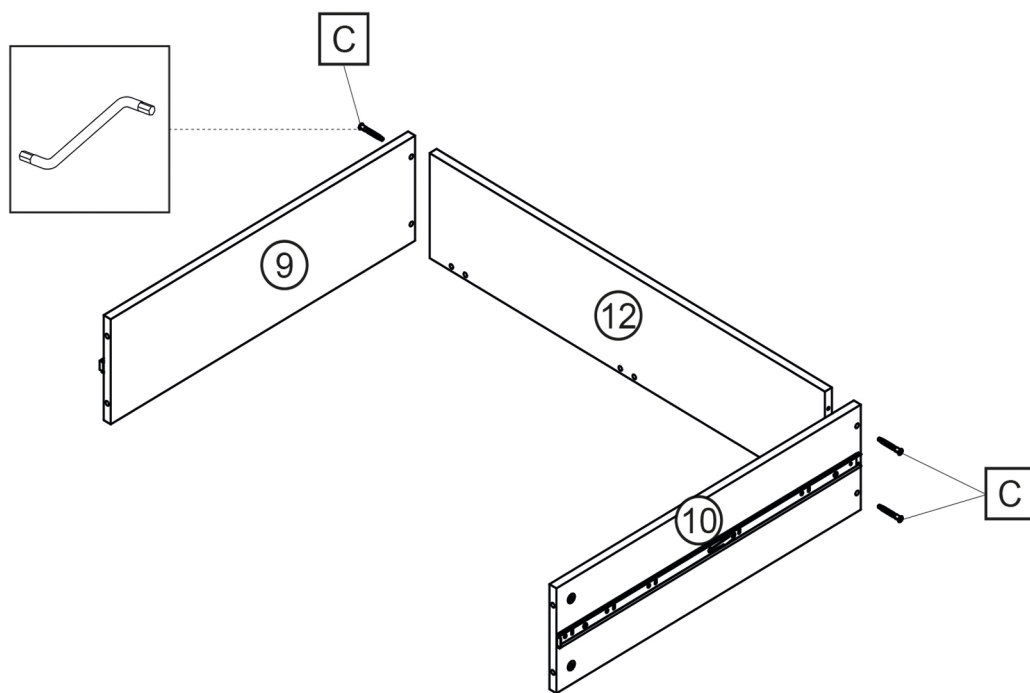




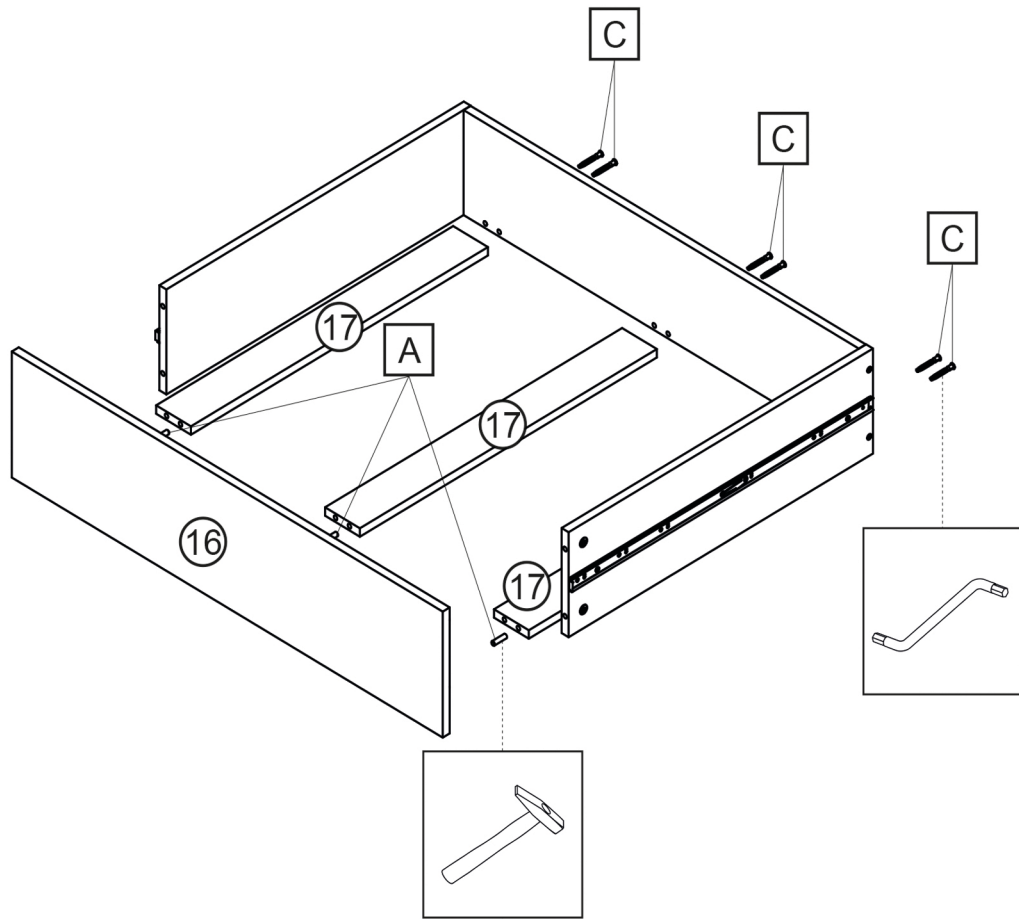
2x



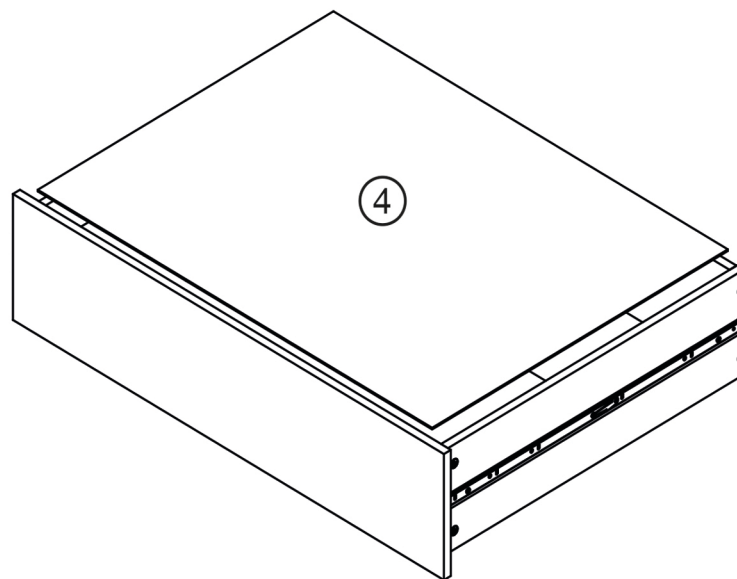
2x

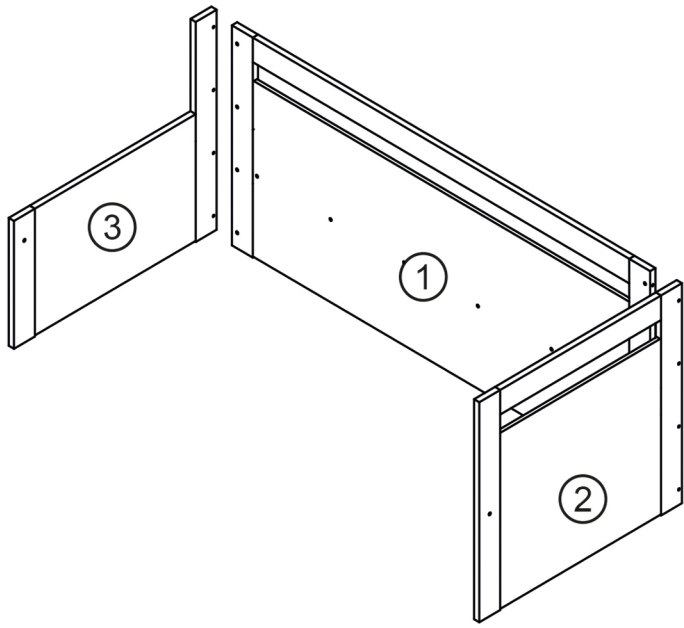


2x



2x



A**B**